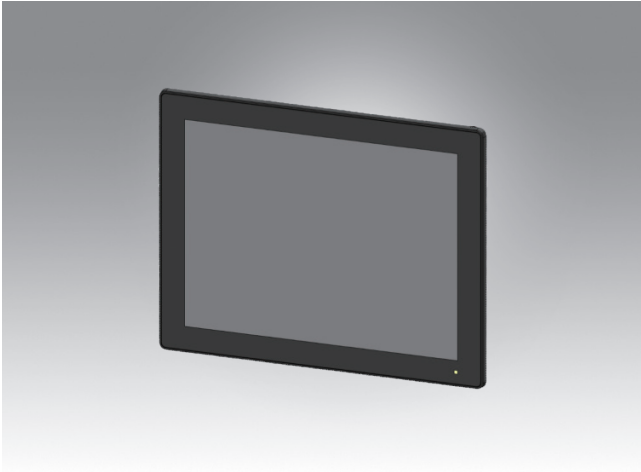


PPC-312S(W) RPL

PPC-315S RPL

PPC-317S RPL

12.1" /15"/ 17" Fanless Panel PC with Intel® 13th Gen Core™ i7/i5/i3 Processor



Features

- True-flat touchscreen with Industrial-grade LCD panel
- High-performance, fanless 13th generation Intel® Core™ i processor
- Slim Compact, fanless design with aluminum alloy enclosure
- IP66-rated front panel
- Supports dual displays (1 x external DP)
- 1 x M.2 M Key 2242/2280 (SATA or NVMe PCIe x 4) for storage, support SATA RAID 0,1
- 2 x 2500BASE-T Ethernet Supports Time-Sensitive Network(TSN) technology
- Supports VESA 100
- Support TPM2.0 hardware security
- Support iDoor
- Support PCI or PCIe



Introduction

PPC-300S RPL equipped Intel 13th Gen Core i7/i5/i3, providing high computing performance with a slim & compact design and robust aluminum alloy enclosure. It also leverages M.2 M key NVMe PCIe to accommodate extremely high data rate and low latency advantage. PPC-300S RPL features 4 x USB, 2 x series ports and 1 x DP for flexible access and connection. The addition optional of PCIe/PCI slots or iDoor for fieldbus or proprietary card extensions increases the compatibility of the system for various applications. The PPC-300S RPL series is an excellent solution to enable quick data capture, processing and data digitalization in various industrial applications.

Specifications

System	CPU	i3-1315UE	i5-1335UE	i7-1365UE
	Core	6	10	10
	Frequency	1.20 GHz upto 4.5GHz with Turbo	1.30 GHz upto 4.5GHz with Turbo	1.70 GHz upto 4.9GHz with Turbo
	Cache	10 MB	12 MB	12 MB
	Memory	1 x SODIMM, DDR5 4800MHz, max. 32GB		
	Storage	1 x 2.5" SATA bay* (PPC-312SW optional) 1 x M.2 M Key 2242/2280 (SATA or NVMe PCIe x 4), support SATA RAID 0,1		
	Network (LAN)	2 x 10/100/1000/2500 Mbps Ethernet (Intel I226 LM)		
	I/O	2 x RS-232/422/485 3 x USB3.2, 1 x USB2.0 2 x USB2.0 (optional)* 1 x DP 1 x line out (PPC-312SW w/o)		
Expansion	1 x M.2 B key 2242 or 3042/3052 (SATA, PCIe X1, USB 3.0 & SIM slot)*** 1 x M.2 E Key 2230 (PCIe & USB 2.0) 1 x iDoor (optional)* 1 x PCI or PCIe x1 (optional)**			
Watchdog Timer	255 timer levels; setup by software			
Speaker	1 x 2W			

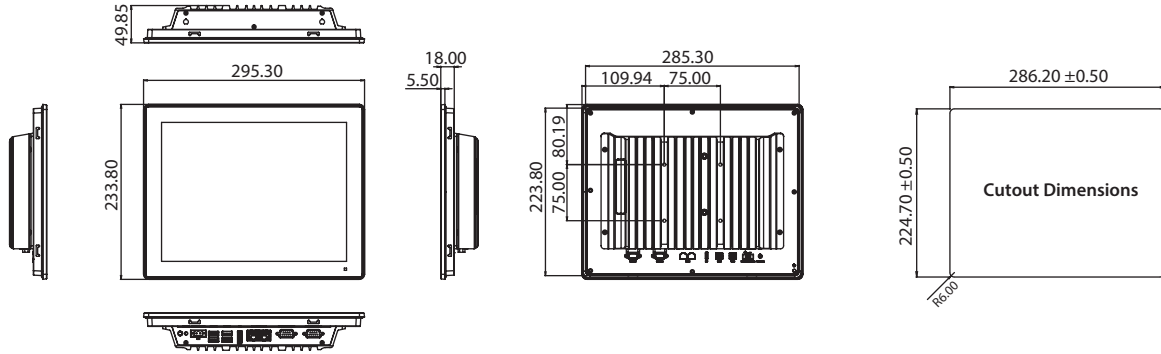
LCD	Display Type	12.1" TFT LCD (LED backlight)	15" TFT LCD (LED backlight)	17" TFT LCD (LED backlight)
	Max. Resolution	1200 x 800	1024 x 768	1024 x 768
	Viewing Angle	85 (left), 85 (right), 85 (up), 85 (down)	89 (left), 89 (right), 89 (up), 89 (down)	88 (left), 88 (right), 88 (up), 88 (down)
	Luminance (cd/m ²)	400	500	300
	Contrast Ratio	1200	1000	2000
	Backlight Lifetime	50,000hrs (min.)	30,000 hr (min.)	50,000hrs (min.)
Touchscreen	Touchscreen type	P-CAP	5 wire resistive touch	5 wire resistive touch or Mli-touch projected capacitive
	Light Transmission	>86%	80±5%	80%±5% (Res) or >86% (P-cap)
	Controller	USB interface		
Physical Characteristics	Dimensions	312.6 x 214.7 x 49.9mm (12.3 x 8.5 x 2.0 in)	295.3 x 233.8 x 49.9 mm (11.6 x 9.2 x 2.0 in)	359.6 x 283.6 x 50.4 mm (14.1 x 11.2 x 2.0 in)
	Weight	2.85 kg (6.28 lb)	2.79 kg(6.15 lb)	5.17 kg (11.4 lb)
OS Support	OS Support	Windows 10 LTSC, Windows 11, Linux		
Power Consumption	Input Voltage	24V _{DC} ± 20%		
	Power Consumption	70W	75W	85W
Environment	Operating Temperature	-10 ~ 50 °C (32 ~ 122 °F)		
	Storage Temperature	-40 ~ 60 °C (-40 ~ 140 °F)		
	Relative Humidity	95% @ 40 °C (Non-Condensing)		
	Shock	Operating 10 G Peak Acceleration (11 ms Duration), Follows IEC 60068-2-27		
	Vibration	Operating Random Vibration Test 5-500Hz, 2Grms @with SSD, Follows IEC 60068-2-64		
	EMC	CE,FCC Class B, BSMI, EN60601-1-2, UKCA		
	Safety	CB, UL, CCC, UKCA		
Front Panel Protection	IP66 compliant			

PPC-312S(W) RPL
PPC-315S RPL
PPC-317S RPL

Dimensions

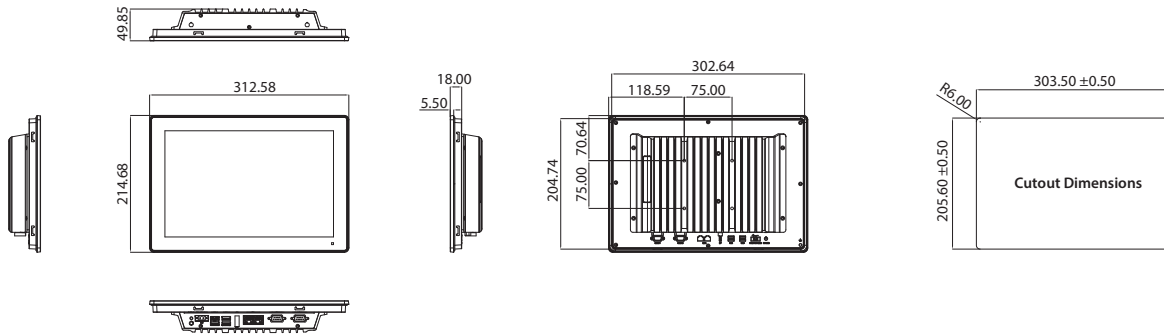
Unit: mm

PPC-312S



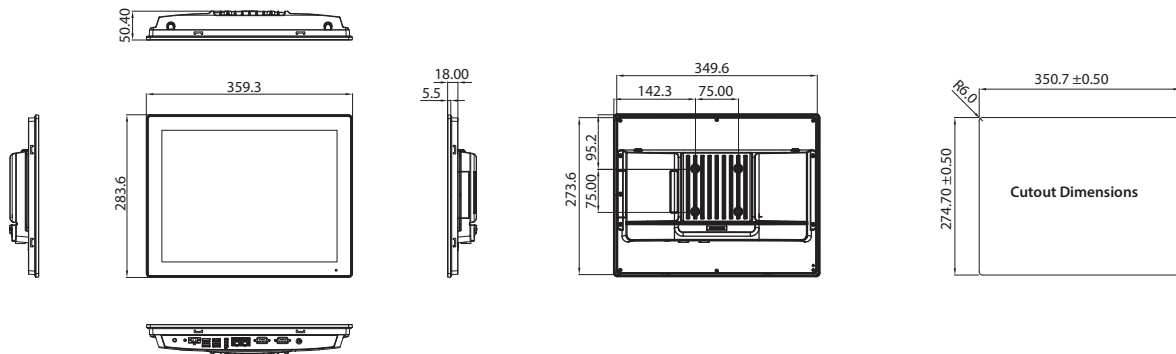
Panel Cutout Dimensions: 286.2 x 224.7 mm (11.27 x 8.85 in)

PPC-312SW



Panel Cutout Dimensions: 303.5 x 205.6 mm (12.39 x 8.09 in)

PPC-315S



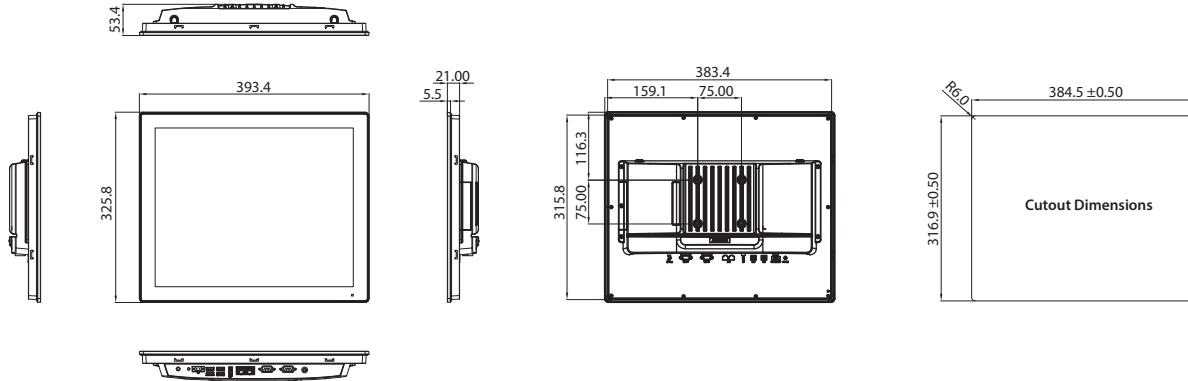
Panel Cutout Dimensions: 350.7 x 274.7 mm (13.81 x 10.82 in)

PPC-312S(W) RPL PPC-315S RPL PPC-317S RPL

Dimensions

Unit: mm

PPC-317S



Panel Cutout Dimensions: 384.5 x 316.9 mm (15.14 x 12.48 in)

Ordering Information

Part Number	Description
PPC-312S-RDI3A	12.1" PPC w/Intel i3-1315UE, Res.
PPC-312S-RDI5A	12.1" PPC w/Intel i5-1335UE, Res.
PPC-312SW-PDI5A	12.1" PPC w/Intel i5-1335UE, P-Cap
PPC-312S-RDI7A	12.1" PPC w/Intel i7-1365UE, Res.
PPC-315S-RDI3A	15" PPC w/Intel i3-1315UE, Res.
PPC-315S-RDI5A	15" PPC w/Intel i5-1335UE, Res.
PPC-315S-PDI5A	15" PPC w/Intel i5-1335UE, P-Cap
PPC-315S-RDI7A	15" PPC w/Intel i7-1365UE, Res.
PPC-317S-RDI3A	17" PPC w/Intel i3-1315UE, Res.
PPC-317S-RDI5A	17" PPC w/Intel i5-1335UE, Res.
PPC-317S-PDI5A	17" PPC w/Intel i5-1335UE, P-Cap
PPC-317S-RDI7A	17" PPC w/Intel i7-1365UE, Res.
96PSA-A120W24T2-4	Power adapter 100-240V 120W 24V
1702002600	Power Cable UL/CSA (USA) 180D 125V10A 1.83M
1702002605	Power Cable 90D 220V EUROPEAN 250V/6A 1.8M
1700000237	Power Cord PSE 3P 12A 125V 183cm
96CB-POWER-B-1.8MA	Power code 3P CCC(China) 1.8M
PPC-174T-WL-MTE	Wall mount kit for PPC series
PPC-STAND-A1E	Stand for PPC series
PPC-ARM-A03	ARM VESA Standard for PPC series
PPC-WLAN-D2	M.2, WiFi6 +BT5.2, 2T2R, w/Antenna
98R3P300010	PPC-300 RFID, Read only 13.56MHz&125k
98R1P300S00	Add-on box for PCI or PCIe expansion (include PCI / PCIe riser card)**
98R1P300S10	Additional ports module (2 x USB 2.0)*

* iDOOR , additional ports or 2.5" SATA bay can't be installed in the same time since they share the same space.

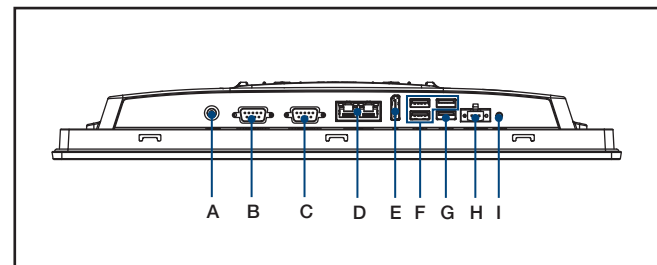
** PCIe riser card supports PCIe x1 singal, but the slot is PCIe x4(PCle x1 compatible).

*** For Storage,choose either the B key or the 2.5" SATA bay.

Support iDoor Modules

Part Number	Description
PCM-34R1TP-AE	1 port Gigabit Ethernet, Intel® I225, 2.5Gb/s, TSN
PCM-34R2GL-AE	2 ports Gigabit Ethernet, Intel® I350
PCM-34D2R4-AE	2 ports Isolated RS-422/485, DB9
PCM-34D2R2-AE	2 ports Isolated RS-232, DB9
PCM-34D4R4-AE	4 ports non-isolated RS-422/485, DB37 cable
PCM-34D4R2-AE	4 ports non-isolated RS-232, DB37 cable
PCM-37D24DI-AE	4 channels isolated digital I/O with counter, DB37
PCM-23C1CF-BE	1 slot CFast iDoor for CFast

I/O View



A. Line out (PPC-312SW w/o)

B. COM1: RS-232/422/485

C. COM2: RS-232/422/485

D. 2 x LAN

E. DP

F. 3 x USB 3.2

G. 1 x USB 2.0

H. DC-In

I. Power Button

Please note: If some optional modules are offered with the system, additional system certificates may be required in certain regions/countries. Please contact Advantech for certificate compliance.